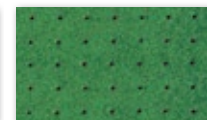
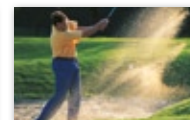




# Wiedemann

*Deep aeration and removal of compaction to a depth of 12",  
central tine adjustment,  
central depth adjustment,  
integrated absorption system,  
integrated tine mounting  
and removal system,  
wide range of tines  
and rear accessories.*

## **Greens *TERRA SPIKE*®**



## Greens **TERRA SPIKE**<sup>®</sup>

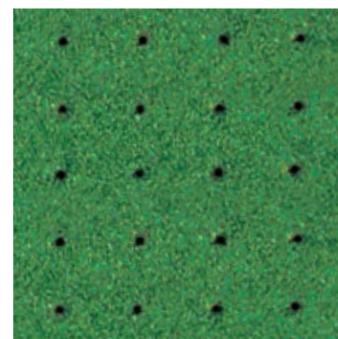
Satisfied players are your best customers – so you should strive for maximum quality on your turf. We will assist you.

Regular deep spiking and deep aeration is necessary for a healthy growth of roots. After decompacting the ground, the roots can penetrate deeper into the ground and will make better use of water and nutrients. The water and air circulation will be improved, thatch will be removed, and the shearing strength will be increased.

Often there is only very little time available for performing this job, which is especially important for the quality of your turf. Therefore, high productivity with both an excellent quality of work and easy operation are important criteria for you when selecting the machine to be used. If so, the **Greens TERRA SPIKE**<sup>®</sup> is the ideal machine for you.

The **Greens TERRA SPIKE**<sup>®</sup> is predominantly operated on golf greens but is also used on other fine turfs. Prior to developing the **Greens TERRA SPIKE**<sup>®</sup>, the engineers from Wiedenmann listened carefully to superintendents and groundskeepers and utilized their recommendations as the basis for the **Greens TERRA SPIKE**<sup>®</sup>. Using the most sophisticated 3D CAD technology, the requirements of these practical users were realized in the **Greens TERRA SPIKE**<sup>®</sup>. Technical reliability and long service life of the machine were further criteria during the development stage. The individual components were selected and tested carefully. After completing the development stage, the **Greens TERRA SPIKE**<sup>®</sup> underwent rigorous testing in a rough permanent field operation in order to prove that it meets all requirements of the development target. Another request of the users was the development of multiple uses for the **Greens TERRA SPIKE**<sup>®</sup>. This requirement has been met with the **System TERRA SPIKE**<sup>®</sup>. The **Greens TERRA SPIKE**<sup>®</sup> has a wide range of tools and rear attachments available, making it a multi-functional machine which can be operated over the whole year.

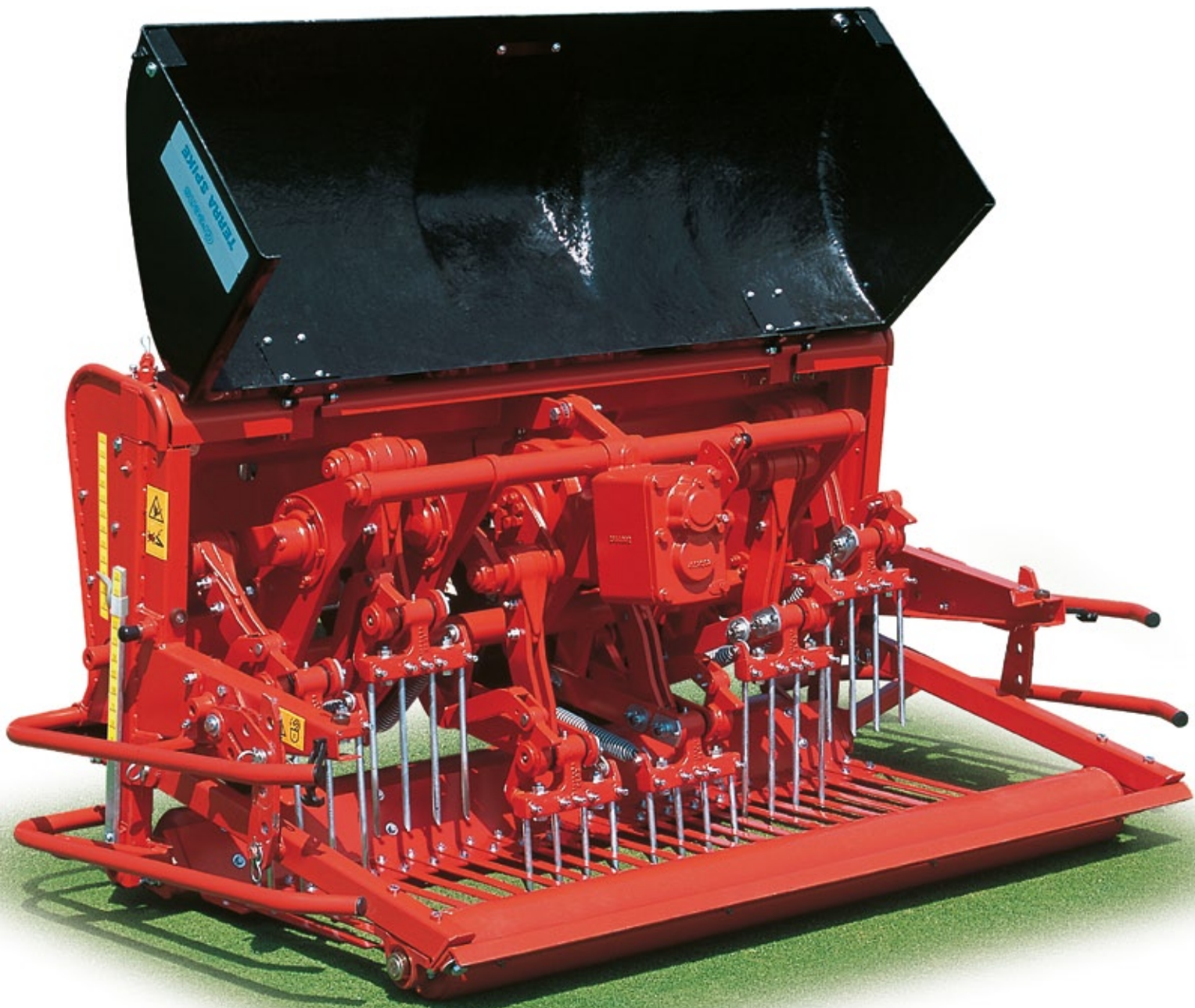
This brochure gives you detailed information about the various options for operating the **Greens TERRA SPIKE**<sup>®</sup>.

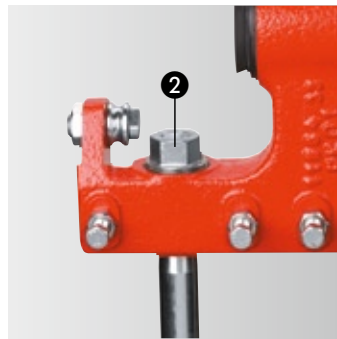
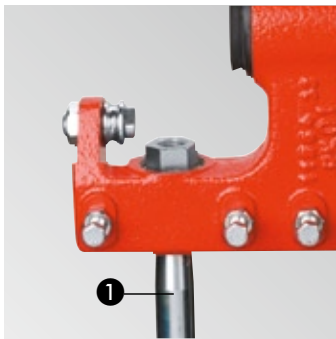


## ■ **The new dimension of deep aeration / decompaction**

**Greens TERRA SPIKE**® – the new dimension of deep aeration which treats your turf gently. When you have mounted the **Greens TERRA SPIKE**® to your tractor and have lifted it for the first time, you will be surprised at how easily it works. The compact direct attachment of the **Greens TERRA SPIKE**® reduces the necessary lifting power considerably. Find out how quickly and easily both the working depth and the tine entry angle can be adjusted using the **QuickSet**. The wide

adjustment range of the tine entry angle from 90° to 65°, which is adjusted centrally through a crank, allows the optimal adjustment of the spiking intensity with regard to ground conditions and the extent of soil compaction. The robust 3-speed gearbox allows you to set the desired hole spacing precisely according to the respective driving speed. A firm fit of the tine in the tine holder and yet a quick exchange of tines is demonstrated by the **QuickFit**.





### QuickFit

The integrated tine mounting and removal system allows quick and trouble-free mounting of the conical 3/4" and 1" tines.

#### Mounting of Tines

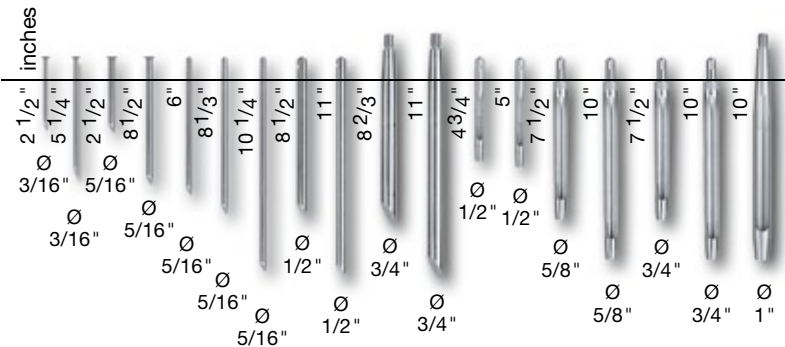
- 1 Hand-tighten the tine from below into the tine holder.
- 2 Screw the lock nut tight from above. The tine is now safely tightened in the conical tine holder.

#### Removal

- 2 Turn the lock nut in the opposite direction, which will push the tine out of the cone.
- 1 Afterwards, unscrew the tine manually.

### Tine program for every application

A complete range of solid tines with diameters of 3/16", 5/16", 1/2" and 3/4", as well as hollow tines with diameters of 1/2", 5/8", 3/4" and 1", lets the **Greens TERRA SPIKE**® master every job. Using the 3/16" needle tines on **Greens TERRA SPIKE**® 53" you can achieve up to 465 holes/sq.ft., whereas you'll achieve up to 344 holes/sq.ft. with **Greens TERRA SPIKE**® 63". These are optimal conditions for light aeration or for preparing the ground for overseeding.



### 3-speed control gear

A heavy-duty 3-speed gearbox allows you to set the desired hole count in accordance with the operating speed and number of tines.



### Tine holders

The strong tine holders with largely dimensioned bushings and integrated grease reservoirs withstand extreme conditions, such as impact stresses, dirt, and sand.

### QuickSet

Central, tool-free, and quick adjustment of tine entry angle (90° to 65°) and working depth. By means of just one central crank you can easily and quickly make adjustments which are important for the working quality, regardless of whichever tine length you have mounted or whether the tine is new or used.

#### 1 Central depth adjustment

You'll be surprised at how quickly and easily the working depth of the **Greens TERRA SPIKE**® can be set. Transfer the length of the tines you have mounted to the adjustable depth pointer, then set the desired working depth by means of the central depth adjustment crank. Finished. There's no quicker and easier way.

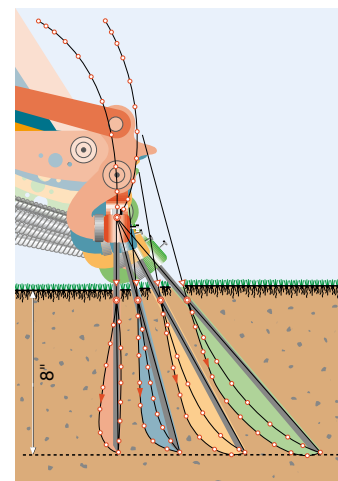
#### 2 Central adjustment of angle

Crank with integrated **Power Pack** for the central, quick, and tool-free adjustment of the tine entry angle.



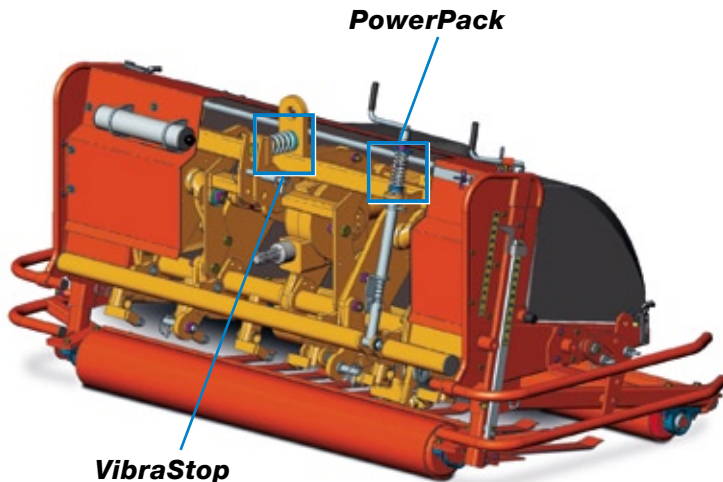
Achieve different spiking intensities by adjusting the tine entry angle.

Entry angle	Pivot angle	Stroke (inches)	Depth (inches)
90°	6°	1"	8"
85°	13°	2"	8"
80°	19°	2 1/2"	8"
75°	25°	2 3/4"	8"



## VibraStop / PowerPack

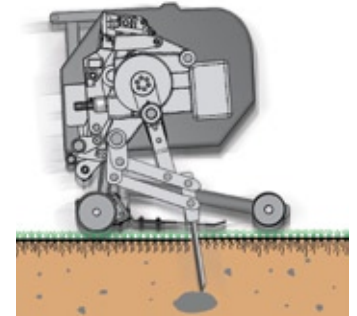
Deep aeration and decompaction is tough work for both man and machine. If, for example, a tine strikes a stone during operation, the tine must lift the entire machine within a fraction of a second in order to overcome this obstacle. The jolts and vibrations that inevitably occur when this happens do not only have a negative impact on the deep aerator, but also on the tractor and the tractor driver, causing consequential damages and thus making the quality of work suffer.



To eliminate this fundamental drawback, Wiedenmann has developed two independently operating, exclusive damping systems - **VibraStop** and **PowerPack**. Together, they perfectly absorb all jolts and vibrations caused by extreme compaction or stones. The result is unrivaled smoothness of running with a minimum of strain on the driver, tractor, deep aerator, and tools.

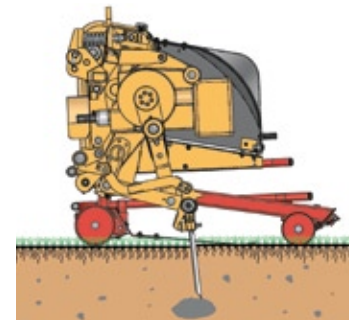
### Other machines on the market

The tine strikes an obstacle in the soil. The resulting impact is transmitted directly to the deep aerator, the tractor, and the tractor driver with damaging effects.



### Greens TERRA SPIKE®

The tine strikes the same obstacle in the soil. The **VibraStop** and **PowerPack** damping systems are instantly activated and the resulting impact is absorbed. This way, the load on the deep aerator and tractor is reduced to an almost negligible level.



## System TERRA SPIKE®

Numerous satisfied **Greens TERRA SPIKE®** customers expressed their desire to use the **Greens TERRA SPIKE®** more often. Our engineers fulfilled this request by developing various rear attachments. On the basis of the **Greens TERRA SPIKE®**, the machine can be expanded into

a multi-functional unit by means of various tools and rear attachments, allowing year-round operation for different jobs. The economic efficiency achieved by reducing the number of operations is unbeatable and your turf will reward you for the lower number of passes with a healthy growth.



### Hydraulic rotary brush

If the optional hydraulic rotary brush is used instead of the rear roller, the turf is first top-dressed and then it is decompacted with the **Greens TERRA SPIKE®** while the top-dress material is brushed into the turf. Thus the number of unnecessary passes is reduced.

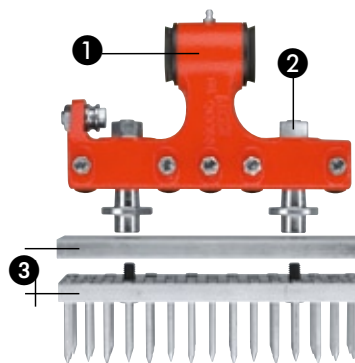


### Swathboard

When using hollow tines the cores can be deposited as rows while using the optional swathboard. This makes the subsequent collection of the cores much easier.

## Multi-tine holders

In addition to the wide range of tines, Wiedenmann offers various multi-tine holders to ensure an even higher operational efficiency. Select the appropriate type from 3 different multi-tine holders. The "nail board" multi-tine holder for the 3/16" and 5/16" solid tines (5/16" for G6/160 only) with a tine length of 2 1/2" or 5 1/4" and 8 1/2" allows you to mount 73, 38, 24, or 8 tines. In the multi-tine holder for 5/16" solid tines you can mount 8 tines, with the two tine rows being placed offset to each other to ensure a narrow hole spacing. In the 3rd multi-tine holder you can mount either 8 pieces of 1/2" solid tines, or 1/2", 5/8", or 3/4" hollow tines. With this multi-tine holder the two tine rows are exactly placed after one another, so that they can also be used in connection with a turf retainer. The possible running speed and the related productivity are significantly increased by this.



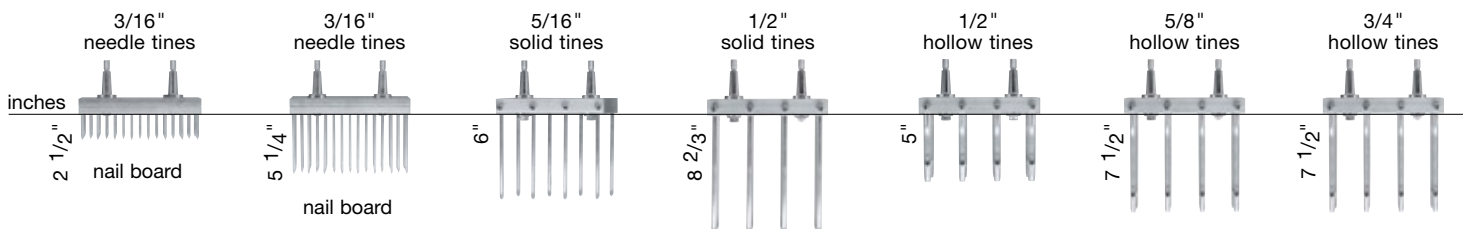
### 1 Tine holder

### 2 QuickFit:

The multi-tine holders are easily and quickly mounted using the tine mounting and demounting system of the tine holder.

### 3 Nail board:

For exchanging tines, the nail board is released through two screws, the tines are exchanged, and the board is mounted again. Quick and easy.



TECHNICAL DATA	G6/135	G6/160
Working width in inches:	53"	63"
Weight in lbs. (approx.):	1289	1488
Working depth in inches with solid/hollow tines up to:	12" / 7 1/2"	12" / 7 1/2"
Dimensions L / W / H in inches approx. :	42" / 72" / 53"	42" / 81" / 53"
Mounting:	Rear three-point cat. I	
Drive:	PTO shaft and 3-speed control gear	
QuickSet / QuickFit / PowerPack / VibraStop:	standard	standard
Tools:	solid tines 3/16", 5/16", 1/2", 3/4" / hollow tines 1/2", 5/8", 3/4", 1"	
Rear roller:	standard	standard
Turf retainer:	optional	optional
Swathboard:	optional	optional
Hydraulic rotary brush:	optional	optional
Ballast weights:	optional	optional
Multi-tine holders for 3/16", 5/16" and 1/2" solid tines:	optional	optional
Multi-tine holder for 1/2", 5/8" and 3/4" hollow tines:	optional	optional
<b>Productivity in continuous operation in square feet per hour</b>		
At 1.25 mph; square hole spacing 4"; approx.:	7 holes/sq.ft. = 29062 sq.ft./hr	-
At 1.5 mph; square hole spacing 5"; approx.:	-	5 holes/sq.ft. = 30569 sq.ft./hr
At 0.6 mph; square hole spacing 2"; approx.:	29 holes/sq.ft. = 14531 sq.ft./hr	-
At 0.7 mph; square hole spacing 2 1/2"; approx.:	-	20 holes/sq.ft. = 20667 sq.ft./hr

*Descriptions and illustrations are non-binding. We reserve the right to modify the construction and design.*

For more information, please contact:



Wiedenmann North America, LLC  
 25A Telfair Place  
 Savannah, GA 31415  
 Tel (912) 790 3004  
 Toll free (866) 790 3004  
 Fax (912) 790 3005  
 E-Mail: office@terrapike.com  
 www.terrapike.com  
 www.wiedenmannusa.com